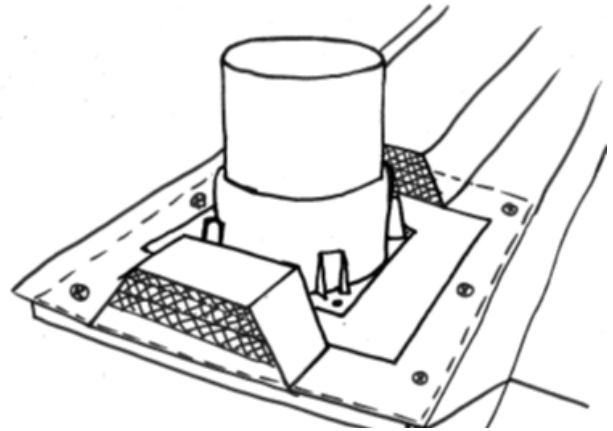


# Installation of the QuelCast Cast In Fire Collar to profiled Metal Deck

The below details are intended as an installation guide for the installation of QuelCast In Fire Collars to profiled metal decks. Whilst the profiles may vary in shape and size, the principle remains the same. Ultimately the responsibility for design and methodology lies with the contractor, this is an indicative guide only.

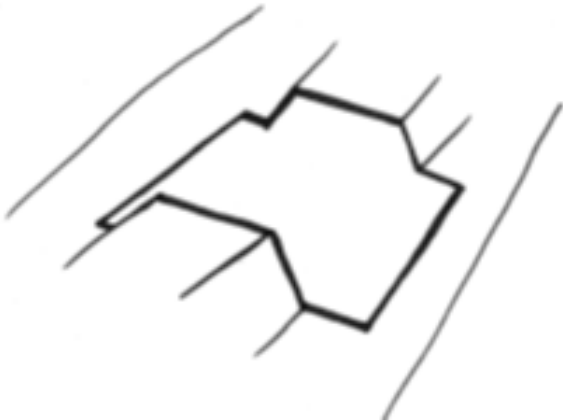


1. Accurately mark centre point location of QuelCast

---

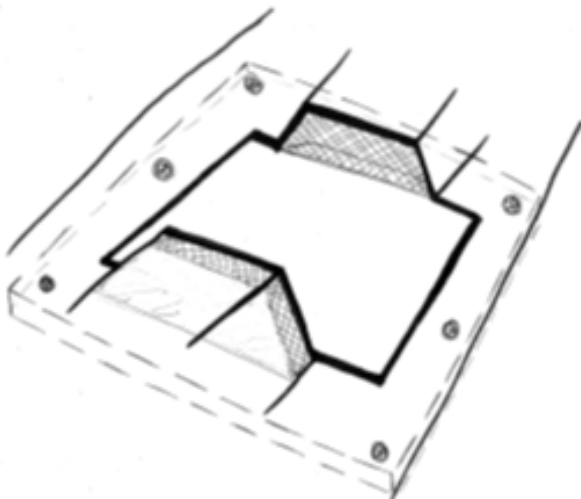
2. Cut square hole out of deck allowing for a minimum cover of 75mm around QuelCast (QuelCast110 = minimum 310x310mm, QuelCast160 = 375x375mm).

---



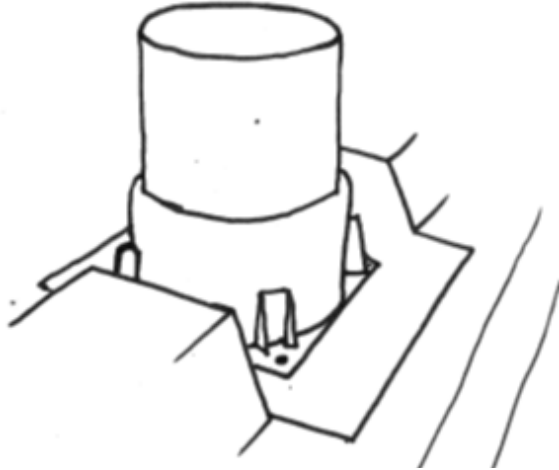
3. Fix plywood shutter to underside of metal deck.

---

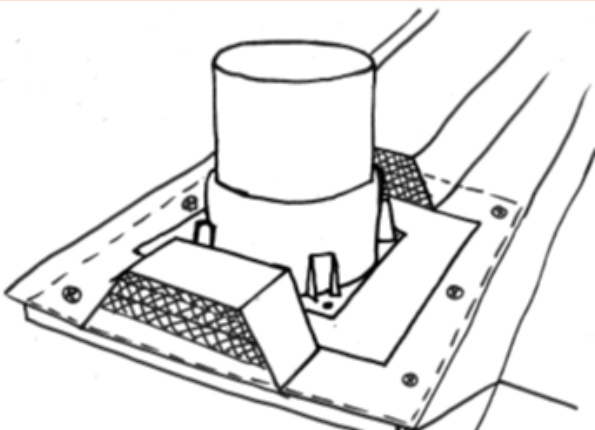


# Installation of the QuelCast Cast In Fire Collar to profiled Metal Deck

4. Accurately locate QuelCast on plywood shutter and fix in position through corner fixing points..



5. Infill ends of profile as shutter for concrete (contractor choice of material – foam/mineral wool etc) Trim if necessary ensuring minimum cover of 75mm around base of QuelCast.



6. Position reinforcing bar and pour concrete as required.

7. Once cured, remove shutter from underside, remove cap and fit pipe.



Should you require any further information regarding the installation of this product, please visit our website or contact one of our specialists.