

QFP QUELSTOP INTUMESCENT FIRE PILLOW

QFP QuelStop Intumescent Fire Pillows help prevent the spread of fire through metal cable trunking systems that penetrate through fire compartment walls.



QFP QuelStop Intumescent Fire Pillows



QFP QuelStop Intumescent Fire Pillows Installed in Steel Cable Trunking

FEATURES & BENEFITS

- Fire tested to BS EN1366-3
- To reinstate fire resistance through walls
- Easy to install and remove
- Available in 3 different sizes
- Remains flexible between -20°C to +130°C
- Moisture resistant lining
- Trunking areas of use:
 - Directly through flexible walls
 - Directly through rigid walls
 - In conjunction with QuelStop System



The Warringtonfire Logo displayed is the trademark of Warringtonfire registered in the United Kingdom. The Warringtonfire Logo is evidence that the products denoted as 'Tested by Warringtonfire' were tested to BSEN 1366-3: 2009 in England between 22nd September 2015 and 9th December 2022.

AVAILABLE SIZES

Product Code	Description	Size	Weight
QFP1	Small (Sausage)	330 x 50 x 20mm	50g
QFP2	Medium	330 x 200 x 25mm	185g
QFP3	Large	330 x 200 x 45mm	385g

APPLICATION

Quelfire Intumescent Fire Pillows can be used inside steel cable trunking up to 150x150mm where they penetrate fire compartment walls.

They are available in 3 different sizes allowing flexibility in choice to ensure that the trunking is fully sealed even with varying number of cables in them. The cables should not take up more than 60% of the available space inside the trunking and the Pillows should then be installed lengthways, centrally positioned within the wall, filling the remaining space.

OVERVIEW

Description	Result
Colour	Silver
Packaging	Boxed
Product Code	QFP1, QFP2, QFP3
Associated Products	QuelStop Acrylic Sealant
Shelf Life	N/A if stored in cool, dry place.

COMPOSITION

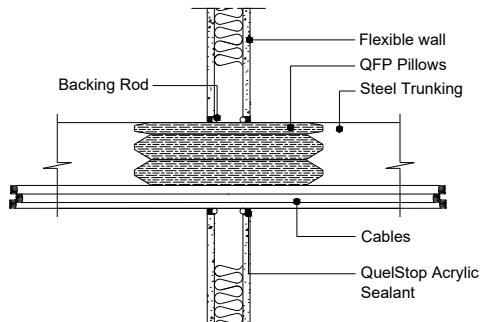
QuelStop Intumescent Fire pillows consist of a glass cloth case containing organic filler materials and intumescent additives.

Typical Installation Detail – Directly through walls

Ensure the supporting construction, aperture, services and site conditions are within the tested scope of application.

Apertures in the wall should be cut as close as possible to the size of the steel trunking – ideally with a maximum 10mm annulus but in any case not exceeding the maximum sizes given in the table:

Penetration Service	Aperture in wall
Steel Trunking up to 50 x 50mm	Up to 70 x 70mm
Steel Trunking up to 150 x 150mm	Up to 170 x 170mm



Ensure the inside of the trunking and cables is clean and clear of loose dust particles.

Install the QuelStop Intumescent Fire Pillows lengthways within the trunking and in such a way that all joints are staggered in each layer and all gaps within the steel trunking system are filled in a manner that ensures a tight compression fit. They should be finally positioned so that they are centrally positioned within the fire compartment wall.

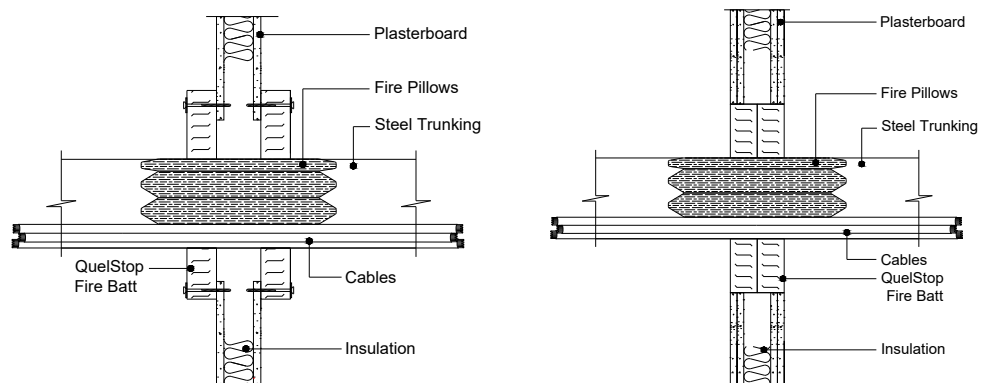
Fill the void around the trunking, using an appropriate backing material such as PE backing rod, glass wool, stone wool or ceramic wool and then apply QuelStop Intumescent Acrylic Sealant to a minimum depth of 10mm.

Typical Installation Detail – in conjunction with QuelStop Fire Batt

In addition to the details provided above the QuelStop Intumescent Fire Pillows can be used inside trunking which passes through oversized holes that require QuelStop Fire Batt system.

Installation of the Pillows themselves remains the same and the QuelStop Fire Batt should be installed in accordance with the relevant other details and documentation:

Typical installation details showing QFP QuelStop Intumescent Fire Pillows used in conjunction with QuelStop Fire Stop System:



Technical Support & Guidance:

Should you require any further information regarding this product, please do not hesitate to contact the technical department at Quelfire Ltd.

Tel: 0161 928 7308. Email: technical@quelfire.co.uk

Please be aware that this document is intended for general information only and all details should be checked against all relevant supporting test evidence, certification and installation guidelines.

Use of alternative components or deviations from the instructions in any way is likely to mean that the installation will not comply with the assessed rating.

Quelfire Ltd does not accept responsibility for the consequences of using Quelfire products in applications or for purposes not authorised by Quelfire Ltd. Expert advice should be sought where such applications are contemplated.

The policy of Quelfire Ltd is one of constant improvement. Details are subject to change and/or withdrawal without notification therefore you must ensure this is the latest published documentation. Whilst Quelfire will endeavour to keep its publications up to date, the accuracy of the information contained within this document may be affected by pertinent changes in the law or regulatory requirements and alterations or amendments to the specification of Quelfire products.

All information contained in this document is given in good faith and is provided for guidance only. Any drawings provided are for illustrative purposes only. As Quelfire Ltd has no control over the methods or competence of installation and of prevailing site conditions, no warranties, expressed or implied, is intended to be given as to the actual performance of the product mentioned or referred to herein and no liability whatsoever will be accepted for any loss, damage or injury arising from the use of the information given. Full terms and conditions can be accessed at: <https://quelfire.co.uk/terms-conditions-of-sale/>